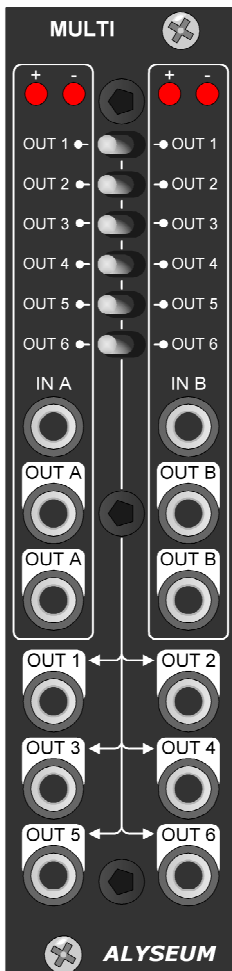


1. Introduction



Yes, **ModularGrid** is already full of so-called Multiple modules. Another one—so what, you might think... And yet, MULTI is unlike any other.

MULTI is exactly as envisioned: dual, clever, and instantly configurable.

This approach makes it both unique and extremely versatile, naturally adapting to a wide range of situations.

Designed as an active module, it incorporates ultra low-drift OPA4171 operational amplifiers, ensuring precision and stability.

Key differences from existing solutions

- **Dual independent sections:** MULTI A and MULTI B, each with two direct outputs.
- **Flexible routing:** each of the 6 independent outputs can be individually assigned to input A or B via a toggle switch.
- **Advanced visualization:** two red LEDs per input provide immediate feedback on signal polarity and level.
- All in just 6HP!

Why a dual-LED polarity indicator?

Most manufacturers opt for a single bi-color LED, mainly for cost reasons.

However, this choice has limitations:

- A significant portion of the population is colorblind (around 8% of men and 0.45% of women).
- Rapid polarity and voltage changes are much easier to read with two distinct LEDs than with a single bi-color LED.

With MULTI, visual information is clear, direct, and accessible to everyone.

2. Hardware

2.1. Package Content

- One MULTI module with Eurorack compliant front panel.
- One plastic bag containing two M3 screws + two nylon washer and one 10/16 pins power ribbon cable.
- Warranty & user manual access card.

2.2. Specifications

- Eurorack 6 HP wide and a maximum depth of 26mm.
- Outputs with low-drift trackers type OPA-4171
- Power requirements (2 LED On): $+12V= 15mA$ $-12V= 15mA$.
- Power supply is fully protected against reverse ribbon cable insertion.

2.3. Installation

Carefully choose a stable location for your Eurorack, avoiding vibration, dust, heat sources, humidity or rain.

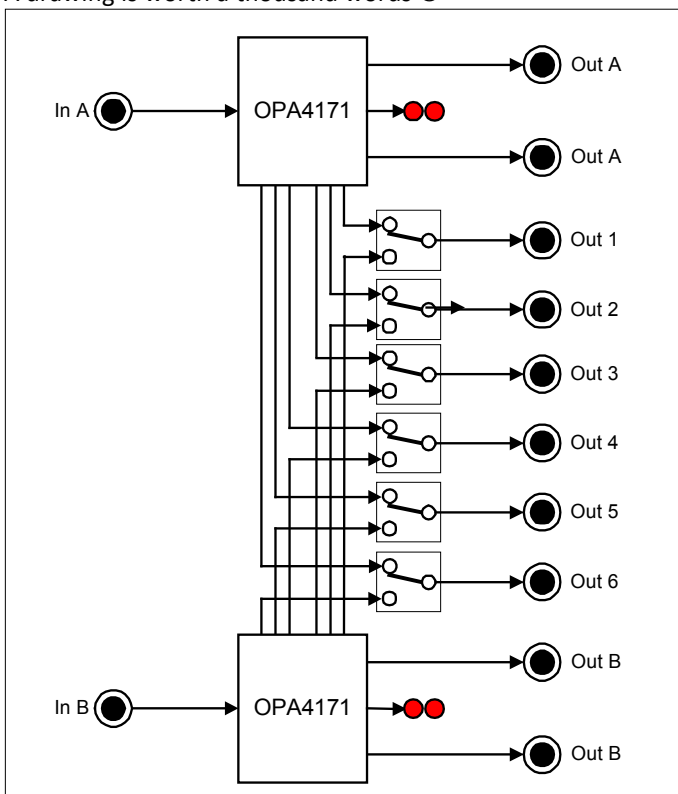
MULTI can only be used in a Eurorack synthesizer with an A-100 power supply.

During the entire installation procedure, always switch off your Eurorack.

Make sure that the red band on the flat power cable is correctly positioned at -12 Volts.

3. How to use

A drawing is worth a thousand words 😊



4. Miscellaneous

4.1. Disclaimer

No part of this document may be reproduced without the express permission of **ALYSEUM**.

All rights reserved, © 2011-2099 **ALYSEUM**.

The contents of this manual are subject to change without notice.

Brand names may be used and we hereby declare that we are using the name for the benefit of the brand owner, without any intention of infringement.

4.2. Warranty and repair

ALYSEUM warrants to the original purchaser that each of these products is free from defects in materials and workmanship for a period of two years from the date of purchase.

This warranty does not apply to products which have been repaired or modified by anyone other than **ALYSEUM**, or which have been subjected to electrostatic discharge, moisture, improper installation or use.

ALYSEUM assumes no responsibility for such occurrences under the terms of this warranty.

Before taking any action, please consult your dealer for further details or visit our support page at <http://www.alyseum.com/support>