

Q-MIX - User manual

1 Introduction

I needed a small audio mixer for my own case, including 4 CV inputs with LEVEL & PAN controls and a stereo audio level output with a Master potentiometer.

The challenge of this new module was multiple:

- Maximum 6HP.
- Strong focus on ergonomics.
- Pro audio components for excellent audio performance.
- LINE IN & OUT connectors on the rear panel, which allows to add future extension modules.
- Large MASTER stereo output potentiometer.
- Stereo PEAK LED with memory.
- Single electronic board and a Boxed power connector.
- High quality capacitors on the audio path.

I made it and, following the positive comments from my entourage, I said to myself "what about marketing it"?

2 Table of Contents

1	Introduction	1
2	Table of Contents.....	1
3	Hardware	2
3.1	Package Content.	2
3.2	Installation.	2
3.3	Features. 3	
3.4	Specifications.	3
3.5	Front panel & Bloc diagram.	3
4	Use.	4
5	Miscellaneous	4
5.1	Disclaimer.....	4

5.2	Static Electricity, ESD	4
5.3	Warranty and repair	4

3 Hardware

3.1 Package Content.

- One Q-MIX module with Eurorack compliant front panel.
- One plastic bag containing:
 - Two M3 screws + M3 nylon washers.
 - One 10/16 pins power ribbon cable.
- Warranty & user manual access card.

3.2 Installation.



Choose the installation location of your unit carefully:

- Avoid placing it in direct sunlight or close to a source of heat.
- Avoid locations subject to vibrations, excessive dust, heat, cold, moisture or rain.



Procedure:

1. Only connect the module to a Eurorack bus board powered by a specified A-100 power supply.
2. Switch OFF and disconnect the Eurorack case from the main power supply by unplugging it from the wall socket!
3. Make absolutely certain that the ribbon cable has the right orientation by connecting the indicated red stripe on the negative 12 Volt side of your Eurorack case bus board.
4. Carefully place the module on an appropriately spaced spot on your Eurorack and fasten it firmly in place with the supplied screws and nylon washers. Replace any covers or blanking plates that you removed to install the module and screw them in firmly.
5. Reconnect the Eurorack case power cable back into the main power supply and switch the case power on.
6. If it doesn't seem to be working as expected, immediately disconnect the system from the main power supply again. In this case, double-check the connections, making completely sure that the ribbon cable is the right way round where it connects to the module and the bus.

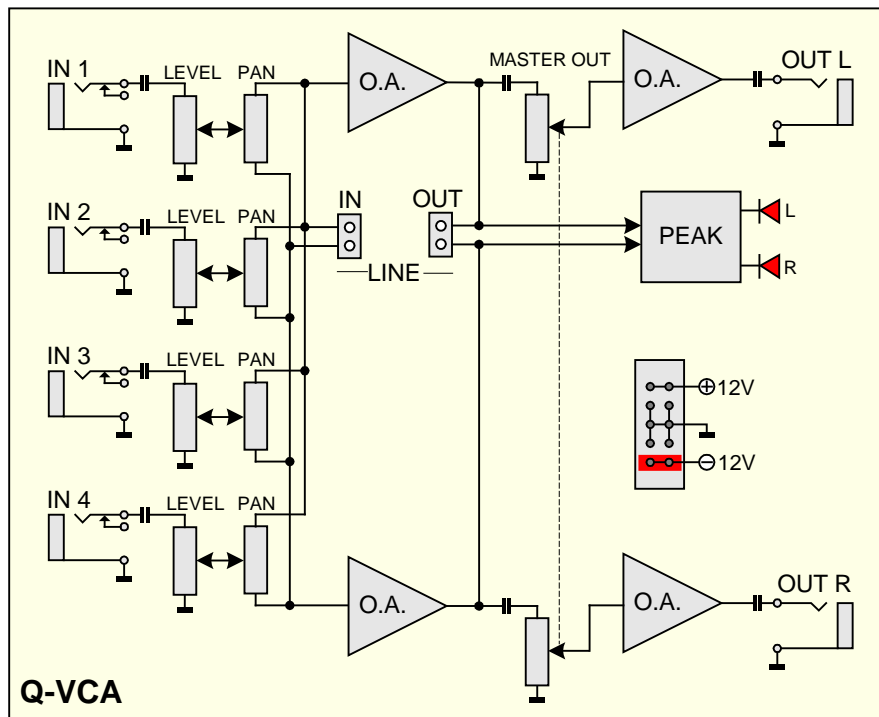
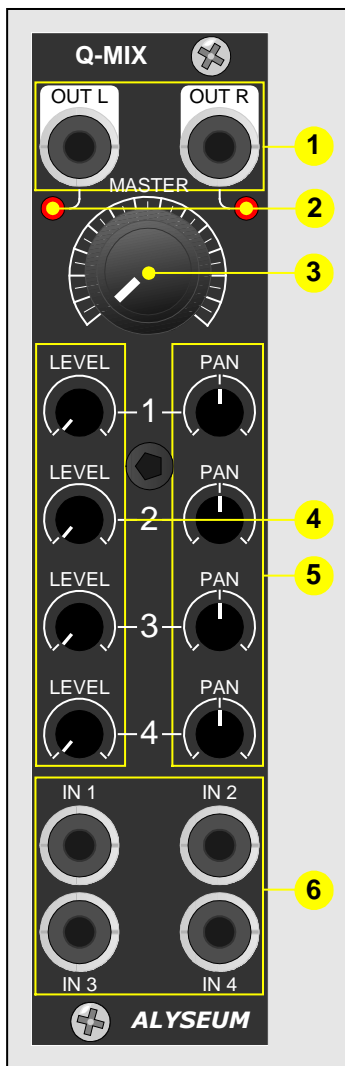
3.3 Features.

- OP-AMP type LM49720
 - Wide signal range: from -11 Volts to +11 Volts
 - Isolation between any channels: -92dB at 1 KHz
 - Low distortion: less 0.0001%
 - Low noise: typ. -110dB
- Power supply is fully protected against reverse ribbon cable insertion.

3.4 Specifications.

- Front panel width: 30 mm (6HP)
- Module maximum depth: 26 mm
- Power requirements: +12 Volts regulated at 10 mA & -12 Volts regulated at 6 mA.

3.5 Front panel & Bloc diagram.



1. **2 Outputs jacks plug:** to connect the stereo outputs.
2. **2 Red LED :** indicate a signal greater than 2Volts at the output.
3. **1 rotary potentiometer:** to adjust the stereo MASTER out .
4. **4 rotary potentiometers:** to adjust the LEVEL for each Input.
5. **4 rotary potentiometers:** to adjust the PAN for each Input.
6. **4 Inputs jacks plug:** to connect the 4 mono inputs.

4 Use.

Well, is it necessary to explain how to use the LEVEL, PAN and Master Out adjustments of the Q-MIX?

There is abundant literature on the subject, and if you really have a question, do not hesitate to contact me personally at willi@alyseum.com

I would be pleased to answer you because you made the effort to read this documentation up to here.

NB: Q-MIX use High quality capacitors on the 4 inputs and on the stereo output. No DC signal can pass through the MIXER.

5 Miscellaneous

5.1 Disclaimer

All rights reserved. Reproduction in whole or part of this document is prohibited without the express permission of **ALYSEUM**.

© 2011-2019 **ALYSEUM**.

The information and specifications described in this manual are subject to change without prior notice.

Throughout this manual, trademarked names might be used. We state herein that we are using the name to the benefit of the trademark owner, with no intention of infringement.

5.2 Static Electricity, ESD



Electrostatic discharge (ESD) can cause malfunction and/or damage to electronic devices if discharged into the module.

Despite **ALYSEUM** products having built-in protections against ESD, voltages might build up at levels that could harm your equipment.

Some tips and precautions for ESD sensitive environment:

- Make sure to discharge any built-up static electricity from yourself and your devices before touching or connecting one device to another.
- Ground yourself by touching an earth grounded metal surface before handling your module and other equipments.
- For fixed installations, place the module in a grounded metallic rack.
- Ensure air relative humidity is minimum 60%.
- Install ESD specific prevention items, such as grounding mats.
- Reduce movement speed when handling or (dis)connecting devices.
- Avoid carpet or other synthetic flooring.



5.3 Warranty and repair

ALYSEUM warrants to you, the original purchaser, that each of its products will be free from defects in materials and workmanship for a period of two years following the date of purchase.

This warranty does not apply to any products which have been repaired or altered by other than **ALYSEUM**, or which have been subject to ESD, moisture, abuse, accident, improper installation or use.

ALYSEUM assumes no liability as a consequence of such events under the terms of this Warranty.

Please, consult your dealer for more details or visit our support page on alyseum.com/support before any action.